



CITROËN XM Series I

ORIGINAL PARTS

< 1 July 1994

< O R G A 6 4 4 4



Legend

how to read the fiche? 5
ORGA numbers 6

Engine

air-air distribution chamber 106-107
camshaft 76-88
cooling fan 173-184
crankshaft pulley 41-69
cylinder block, piston 27-35
cylinder head cover 16-26
engine 7-15
gear housing, plugs 36-40
oil filler, decanting unit 153-161
oil pump, chain belt 112-122
oil sump, filter, level sender 123-152
rod, jacket, piston rings 70-75
turbo air piping 109-111
turbo charger oil return hose 103-105
turbo lubrication 108
valve adjusting pieces 100-102
valve guide, rocker gear 89-99
water pump 162-172

Gearbox

automatic gearbox, complete 208-212
brake c1, autobox 246
brake c2, autobox 258
clutch 185-191
clutch a, autobox 249
clutch b, autobox 247-248
clutch converter 192
clutch e, autobox 250-251
clutch housing 215-220
converter housing 223-226
diaphragm, autobox 244

differential 299-301
differential, front 302-303
epicyclic train, autobox 252
fixings 304-333
freewheel d, autobox 257
gearbox casing 221-222
gearbox housing and fixing 227-229
gearbox ratios 193-194
gearchange cable, autobox 297-298
gearchange control 280-288
gearchange lever 278-279
gearchange lever, autobox 295-296
hydraulic unit housing, autobox 243
hydraulic unit, autobox 242
kickdown cable 289-294
manual gearbox, complete 195-207
oil pump, autobox 245
oil radiator-exchanger, autobox 234-241
output line, autobox 253
primary shaft 259-263
regulator, autobox 256
repair kit, automatic gearbox 214
repair kit, manual gearbox 213
return shaft, driver pinion, autobox 254-255
secondary shaft 264-271
spindles, forks, ext gearchange 277
spindles, forks, int gearchange 272-276
tacho control 230-232
tacho control, autobox 233

Engine Equipment

accelerator cable and pedal 379-406
air filter, hose, resonator 418-438
alternator and fixings 452-463
alternator components 464-482
carburettor, injection body 353-356
glow plug, electronic module 451
ignition distributor 439-441

injection pipe set 368-377
injection pump bracket 357-361
injection pump, electro valve 362-367
injection sensors 407-417
injector adjustment washer 378
intake manifold distributor 334-352
spark plugs, ign module, coil 442-450
starter details 487-500
starter motor fastening 483-486

Hydraulics and Running Gear

anti-roll bar, front 617-618
brake accumulator 510
crossmember and torsion bar 605-607
flow distributor valve 640
front pivots, hubs, bearings 598-599
height correctors 619-620
hp pump 501
hp pump bracket 502-504
hydractive components 593-597
hydractive stiffness sphere 590-592
hydraulic circuit breaker 505-506
hydraulic circuit breaker bracket 507-508
ignition and door locks 630
leaf springs, rear 608-610
lhm tank 511-512
manual height control 621
piping brackets 578-589
return piping, rear suspension 570-577
return piping, steering 550-569
safety valve 509
steering box and rack 638
steering column support 628-629
steering rack 631-634
steering rack components 635-637,639
steering regulator 641
steering wheel and column 622-627
supply piping, brake 534-549



supply piping, front suspension 516-528
 supply piping, rear suspension 529-533
 supply piping, steering 513-515
 suspension cylinder and sphere, front 611-614
 suspension cylinder and sphere, rear 615-616
 wheel balance weights 603-604
 wheel caps 602
 wheels 600-601

Brakes and Transmission

abs hydraulic unit 659
 abs sensors 660-661
 brake calipers and disks, front 652-653,672
 brake calipers and disks, rear 654-657,673-674
 brake control valve 658
 brake pedal 642-643
 clutch pedal and cable 644-646
 driveshafts 647-651,670-671
 parking brake 662-667
 pedal gear (brake) 669
 pedal gear (brake, clutch) 668

Electrical Equipment

aerial 883
 alarm 838
 alphanumeric display panel 819-820
 battery 839-841
 carphone 886
 central locking 870
 connectors 792-801
 connectors, repair 802-805
 cruise control 821-822
 cruise control regulator 823-824
 cruise control servo 825-831
 diagnostic sensor 806
 electronic modules, dashboard 878-880
 horn 869

instrument panel 807-811
 instrument panel components 815-818
 lamp kit 791
 lighting, front 842-846
 lighting, glovebox 856
 lighting, interior 852-855
 lighting, number plate 851
 lighting, rear 847-849
 lighting, third stop 850
 lighting, trunk and hood 857
 loudspeaker 884-885
 mainboard 871-872
 radio, statics suppressor 881-882
 relay boxes 873-875
 relays 876-877
 speedo cable 812-814
 switches, center console 834
 switches, fascia panel 832-833
 switches, stalks and radio 836-837
 switches, windows and seats 835
 window washer, front 864-865
 window washer, pump and reservoir 868
 window washer, rear 866-867
 window wiper, front 858-861
 window wiper, rear 862-863
 wiring harness, ceiling 778
 wiring harness, electrovalve 744
 wiring harness, engine 719-743
 wiring harness, fascia panel console 753-773
 wiring harness, front doors 782-783
 wiring harness, heater and a/c 774-777
 wiring harness, main 680-718
 wiring harness, phone 785
 wiring harness, rear 786-788
 wiring harness, rear brake abs 751-752
 wiring harness, rear doors 784
 wiring harness, seatbelts 779-781
 wiring harness, steering 745-750
 wiring harness, supplementary front 675-679

wiring harness, tailgate 789-790

Engine Environment and Misc

air conditioning, compressor 1015-1021
 air conditioning, condenser-drier 1022-1023
 air conditioning, piping 1024-1031
 air outlets 1033-1034
 anti-pollution canister 910-923
 bumper, front 1012
 bumper, rear 1013-1014
 cooling expansion chamber 973
 cooling radiator 966-972
 cooling water piping 974-1000
 diesel filter, priming pump 904-905
 diesel recycling 930-932
 evaporator, pressure relief valve 1057
 exhaust heat shields 933-944
 exhaust manifold, catalyst 945-958
 exhaust silencers 959-965
 fuel filling pipes and ducts 908-909
 fuel piping, securing 887-903
 fuel tank, level sensor 906-907
 heater unit 1032,1035
 heater/cooler piping 1036-1052
 heating and ventilation control 1053-1055
 oxygen sensor 924-929
 regulator, temp sensors 1056
 thermostat, water outlet 1001-1011

Body and Equipment

a post 1096-1098
 b post 1099-1101
 badge 1175
 body shell 1058-1059
 bulkhead 1081-1083
 center console, front 1180-1197
 center console, rear 1198-1201



cradle 1071-1078
 crossmember, front 1092
 dashboard, air vents 1212-1214
 dashboard, center panel 1215-1224
 dashboard, fascia 1202-1207
 dashboard, glovebox 1208-1211
 door and window, tailgate 1163-1168
 door lock and handle, front 1125-1128
 door lock and handle, rear 1151-1154
 door lock and handle, tailgate 1169-1172
 door, front 1118-1121
 door, rear 1145-1148
 floor, rear 1113-1116
 front frame 1067
 fuel filler cap 1173-1174
 hood 1085-1087
 load securing 1117
 plugs and caps 1065-1066
 radiator grille 1088
 rearview mirror 1129-1144
 roof side panels 1062-1064
 roof, luggage carrier 1060-1061
 side frame 1102-1109
 sidemember 1093-1095
 strips and protectors 1176-1179
 sunroof 1110-1112
 underbody protection 1084
 wheelarch and cant rail, front 1068-1070
 window, front door 1122-1124
 window, rear door 1149-1150
 window, rear quarter 1155
 window, tailgate separator 1225-1226
 windscreen 1079-1080
 wing, front 1089-1091
 wing, rear 1156-1162

Inner Trimming and Equipment

armrest, rear 1430-1433

headlining 1470-1481
 jack 1243
 mats 1434
 parcel shelf 1482-1489
 rearview mirror, sun visor 1227-1230
 seat frame, front, electric 1280-1316
 seat frame, front, manual 1244-1279
 seat frame, rear 1393-1397
 seat frame, rear split 1344-1348
 seat padding, front 1317-1343
 seat padding, rear 1398-1429
 seat padding, rear split 1349-1392
 seatbelts, front 1231-1236
 seatbelts, rear 1237-1238
 spare wheel bracket 1239-1242
 trim, front 1435-1449
 trim, front door 1490-1540
 trim, rear 1450-1457
 trim, rear door 1541-1585
 trim, trunk 1458-1469

Appendix

cross reference, brakes and transmission 1624-1625
 cross reference, car body and equipment 1650-1658
 cross reference, electrical equipment 1626-1633
 cross reference, electrical harnesses 1634-1640
 cross reference, engine and gearbox 1593-1607
 cross reference, engine environment and misc. 1641-1649
 cross reference, engine equipment 1608-1616
 cross reference, hydraulics and running gear 1617-1623
 cross reference, inner trim and equipment 1659-1676
 paint colors 1590
 symbols 1591-1592
 vehicle type 1586-1589

Legend *How to read the fiche?*

A fiche set consists of several fiche sheets, each depicting a large number (200 or more) of individual fiche pages. Each page has its own *drawing number*, referenced from the cross reference charts in the Appendix.

The left column shows the components with reference numbers while the right column gives model information and the actual descriptions and Citroën part numbers for all referenced, individual parts.

Market ▼ Page

Publication date 22/03/2060 GB L03 ↑ 15/05/2000

Set ID (MIC) 0269 03 **4410** 10 **STEERING WHEEL CAP COLUMN JACKET** ◀ Description

Page number if the component list spans several pages PAGE ↑ Sheet ▲ Cross reference no. [See Appendix]

TC 0 95591 ◀ Applicable models, subsystems or ORGA numbers [see next page]

NOTE: FOR VEHICLE WITH RADIO EQUIPMENT OR SPEED GOVERNOR NO PUT UP ◀ Remarks

05 ANJ 31

STEERING WHEEL ◀ Part name and specification

| | | | |
|----|----------------|----|---|
| 1 | 96 007 824 ET | 01 | ET DARK TURTLE-DOVE |
| | NFP | | TO O 04982 ◀ ORGA numbers [see next page] |
| | 96 007 824 TP | 01 | TR BITUMEN GREY |
| | NFP | | TO O 05284 |
| | 96 007 824 LE | 01 | LE DARK SODALITE BLUE |
| | 96 007 824 XX | 01 | XX BLACK |
| | | | TC O 05284 |
| | 96 085 980 ZL | 01 | AVEC COUSSIN |
| | | | ZL HURRICANE GREY |
| | | | FROM O 05285 |
| | 96 068 183 XX | 01 | AVEC COUSSIN |
| RP | 96 068 133 ZL | 01 | C003 LEATHER |
| | | | XX BLACK |
| | | | TO O 05284 |
| | 96 068 183 ZL | 01 | AVEC COUSSIN |
| | | | C003 LEATHER |
| | | | ZL HURRICANE GREY |
| | | | FROM O 05285 |
| 2 | 95 640 016 ET | 01 | NU |
| | NFP | | ET DARK TURTLE-DOVE |
| | | | RMP 95637742ET TO O 04982 |
| | 95 640 016 TR | 01 | NU |
| | NFP | | TR BITUMEN GREY |
| | | | RMP 95637742TR TO O 05284 |
| | 95 537 742 LE | 01 | COMPLET |
| RP | 95 640 016 I.E | 01 | LE DARK SODALITE BLUE |
| | | | RMP 96007696TR |
| | 95 640 016 XX | 01 | NU |
| | | | XX BLACK |
| | | | RMP 95637742XX TO O 05284 |

▲ Citroën part numbers (new and old)

▲ Reference numbers ▲ Quantity

Other pages follow ▼



Legend ORGA Numbers

The organization number shows the day when your car was actually assembled on the production line. The dealers and parts stores use this number (sometimes also called RP or Replacement Parts number) to identify the various parts and components fitted to your car.

On your car, the ORGA number can be found stamped on the left hand front door A-pillar, above the courtesy light switch.

Calculating the production date is very easy using the following table. Locate the largest number in the table still less than or equal to your organization number.

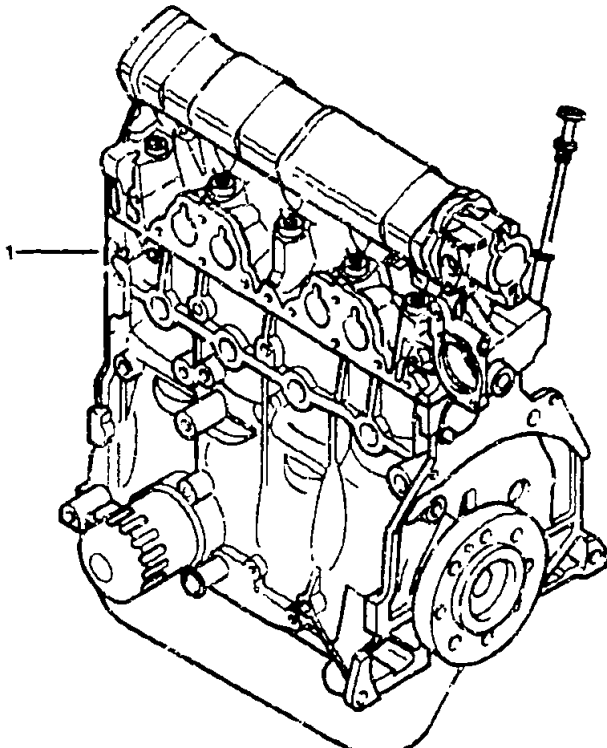
To see an example, let's assume the number is **4859**. Then the largest number

will be **4832** in the cell **February 1990**. Just subtract this number from your organization number to get the day of the month of the production of your car (in our example, $4859 - 4832 = 27$ yields **February 27, 1990**).

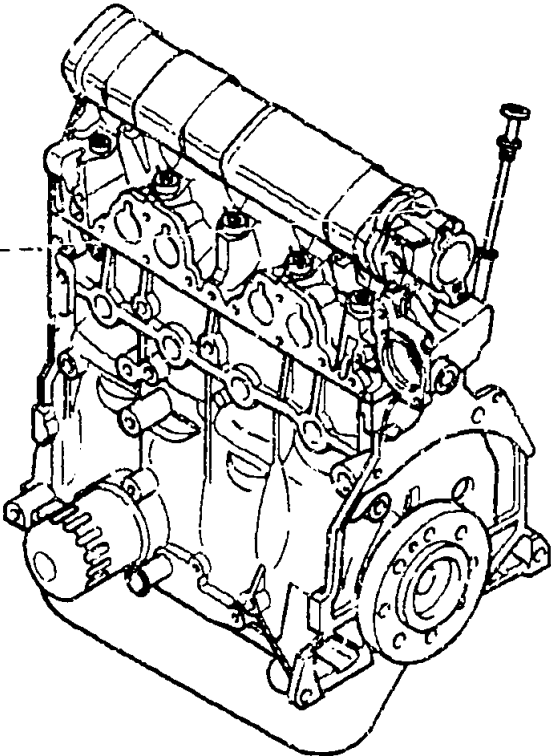
If you receive the non-existent date zero (this happens when your organization number is not greater than but equal to the number in the table), simply take the last day of the previous month. For instance, for the organization number **5013** the largest number in the table is **5013** in the cell **August 1990**, subtraction results in **zero**, hence the production date is **July 31, 1990**.

| | Jan | Feb | Mar | Apr | May | Jun | Jul | Aug | Sep | Oct | Nov | Dec |
|------|------|------|------|------|------|------|------|------|------|------|------|------|
| 1982 | 1879 | 1910 | 1938 | 1969 | 1999 | 2030 | 2060 | 2091 | 2122 | 2152 | 2183 | 2213 |
| 1983 | 2244 | 2275 | 2303 | 2334 | 2364 | 2395 | 2425 | 2456 | 2487 | 2517 | 2548 | 2578 |
| 1984 | 2609 | 2640 | 2669 | 2700 | 2730 | 2761 | 2791 | 2822 | 2853 | 2883 | 2914 | 2944 |
| 1985 | 2975 | 3006 | 3034 | 3065 | 3095 | 3126 | 3156 | 3187 | 3218 | 3248 | 3279 | 3309 |
| 1986 | 3340 | 3371 | 3399 | 3430 | 3460 | 3491 | 3521 | 3552 | 3583 | 3613 | 3644 | 3674 |
| 1987 | 3705 | 3736 | 3764 | 3795 | 3825 | 3856 | 3886 | 3917 | 3948 | 3978 | 4009 | 4039 |
| 1988 | 4070 | 4101 | 4130 | 4161 | 4191 | 4222 | 4252 | 4283 | 4314 | 4344 | 4375 | 4405 |
| 1989 | 4436 | 4467 | 4495 | 4526 | 4556 | 4587 | 4617 | 4648 | 4679 | 4709 | 4740 | 4770 |
| 1990 | 4801 | 4832 | 4860 | 4891 | 4921 | 4952 | 4982 | 5013 | 5044 | 5074 | 5105 | 5135 |
| 1991 | 5166 | 5197 | 5225 | 5256 | 5286 | 5317 | 5347 | 5378 | 5409 | 5439 | 5470 | 5500 |
| 1992 | 5531 | 5562 | 5591 | 5622 | 5652 | 5683 | 5713 | 5744 | 5775 | 5805 | 5836 | 5866 |
| 1993 | 5897 | 5928 | 5956 | 5987 | 6017 | 6048 | 6078 | 6109 | 6140 | 6170 | 6201 | 6231 |
| 1994 | 6262 | 6293 | 6321 | 6352 | 6382 | 6413 | 6443 | 6474 | 6505 | 6535 | 6566 | 6596 |
| 1995 | 6627 | 6658 | 6686 | 6717 | 6747 | 6778 | 6808 | 6839 | 6870 | 6900 | 6931 | 6961 |
| 1996 | 6992 | 7023 | 7052 | 7083 | 7113 | 7144 | 7174 | 7205 | 7236 | 7266 | 7297 | 7327 |
| 1997 | 7358 | 7389 | 7417 | 7448 | 7478 | 7509 | 7539 | 7570 | 7601 | 7631 | 7662 | 7692 |
| 1998 | 7723 | 7754 | 7782 | 7813 | 7843 | 7874 | 7904 | 7935 | 7966 | 7996 | 8027 | 8057 |
| 1999 | 8088 | 8119 | 8147 | 8178 | 8208 | 8239 | 8269 | 8300 | 8331 | 8361 | 8392 | 8422 |
| 2000 | 8453 | 8484 | 8512 | 8543 | 8573 | 8604 | 8634 | 8665 | 8696 | 8726 | 8757 | 8787 |
| 2001 | 8819 | 8850 | 8878 | 8909 | 8939 | 8970 | 9000 | 9031 | 9062 | 9092 | 9123 | 9153 |
| 2002 | 9184 | 9215 | 9243 | 9274 | 9304 | 9335 | 9365 | 9396 | 9427 | 9457 | 9488 | 9518 |

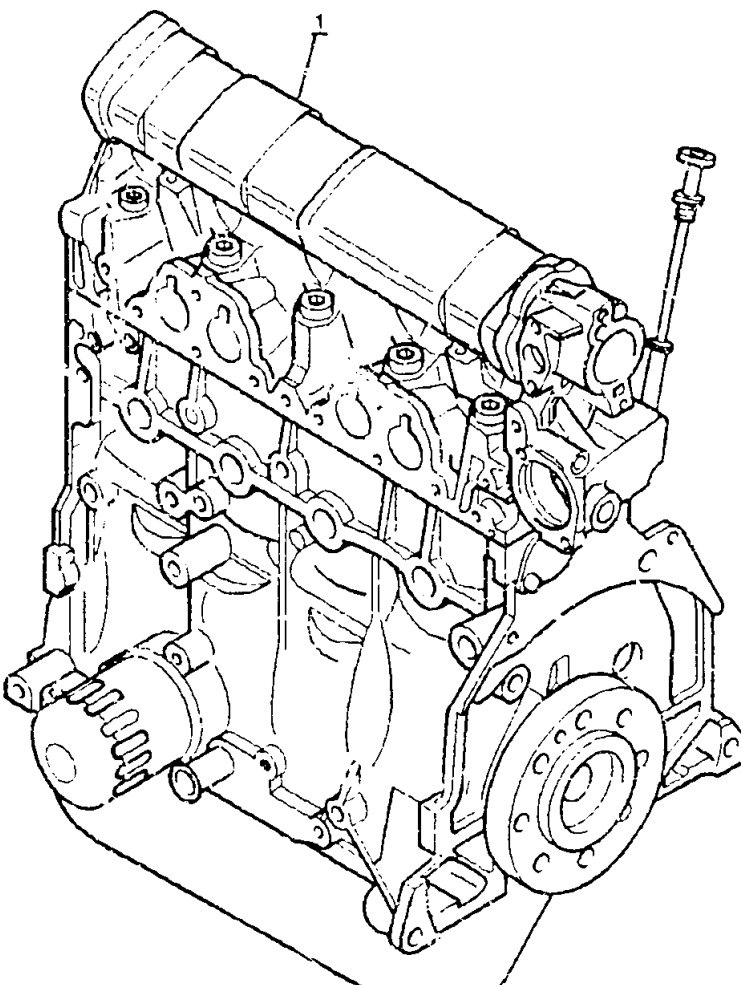


| | | | |
|--|------------------------------|--|---|
| <p>22/03/2006 GB D02 ↑ 0269 01 3020 10 PAGE 1</p> | <p>15/05.2000 ENGINE</p> | <p>- PETROL, 1,998L, CARBURETTOR</p> | |
|  <p style="text-align: center;">12.94 P0020100</p> <p style="text-align: right;">P0020160</p> | | <p>NOTICE : THE ENGINE IS SUPPLIED WITHOUT: FLYWHEEL, CLUTCH EXHAUST PIPE, IGNITION DISTRIBUTOR, STARTER, ALTERNATOR FUEL PUMPE, CARBURETTOR</p> | |
| | | <p>1 0135 J4</p> | <p>01 NEW ENGINE REPERE RDZ - RFZ - (RFZ) (R2A)</p> |

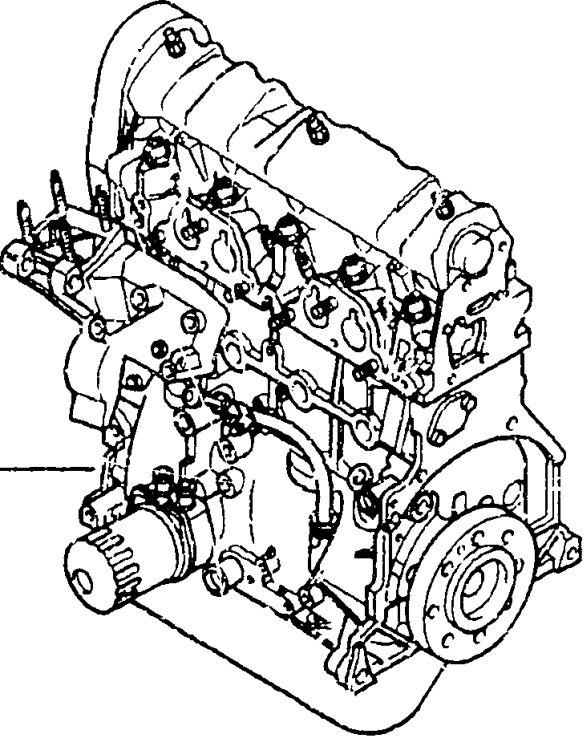


| | | | |
|--|-----------------------------|---|--------------------|
| 22/03/2000 GB D03 ↑ 0269 01 0020 15 PAGE 1 | 15/95/2000 ENGINE | - PETROL, 1,998L, MONOPOINT INJ, (XT) | |
|  <p style="text-align: center;">[12/94] P0020150</p> <p style="text-align: right;">P0020150</p> | | NOTICE : THE ENGINE IS SUPPLIED WITHOUT: FLYWHEEL CLUTCH EXHAUST PIPE, IGNITION DISTRIBUTOR, STARTER, ALTERNATOR FUEL PUMPE, CARBURETTOR | |
| | | 1 95 554 072 01 | NEW ENGINE REP:RDZ |



| | | | | |
|---|--|---|--|--|
| 22/03/2000 GB D04 ↑ 0269 01 0020 20 PAGE 1 | 15/06/2000 ENGINE | - PETROL, 1,998L, INJECTION | | |
|  <p style="text-align: right;">03/2000 P002020 P002020</p> | | NOTICE : THE ENGINE IS SUPPLIED WITHOUT: FLYWHEEL, CLUTCH EXHAUST PIPE, IGNITION DISTRIBUTOR, STARTER, ALTERNATOR | | |
| | | 1 51 | <table border="1"> <tr> <td data-bbox="1478 414 1512 1492"></td> <td data-bbox="1512 414 1713 1492"> NEW ENGINE 0135 J5 01 55 654 091 01 </td> <td data-bbox="1713 414 2033 1492"> REPERE (R6A) - R6A REP:RFZ </td> </tr> </table> | |
| | NEW ENGINE 0135 J5 01 55 654 091 01 | REPERE (R6A) - R6A REP:RFZ | | |



| | | | | | | | | | | | | | | |
|--|----------------------|--|--------------|----|--|--------------------------|----------|---|---------|----|---|-----------------------|----------|---|
| 22/03/2000 GB D05 ↑ 0260 01 C020 30 PAGE 1 | 15/06/2000 ENGINE | - PETROL, 1,992L, TURBO-INJECTION EXCHANGER | | | | | | | | | | | | |
|  <p style="text-align: right;">P0020300</p> | | NOTICE : THE ENGINE IS SUPPLIED WITHOUT FLYWHEEL CLUTCH EXHAUST IGNITION DISTRIBUTOR STARTER ALTERNATOR | | | | | | | | | | | | |
| | | <table border="1"> <tr> <td data-bbox="1256 427 1480 539"> 1 0135 S3 </td> <td data-bbox="1480 427 1503 539"> 01 </td> <td data-bbox="1503 427 2033 539"> NEW ENGINE REP RGY REPERE RGY - BVM TO O 06306 OR BVA </td> </tr> <tr> <td data-bbox="1256 539 1480 651"> 95 644 529 RP 0139 G2 </td> <td data-bbox="1480 539 1503 651"> 01 01 </td> <td data-bbox="1503 539 2033 651"> EXCHANGE ENGINE REP RGY REPERE RGY - BVM TO O 06306 OR BVA </td> </tr> <tr> <td data-bbox="1256 651 1480 746"> 0135 Y7 </td> <td data-bbox="1480 651 1503 746"> 01 </td> <td data-bbox="1503 651 2033 746"> NEW ENGINE REPERE RGX - RGY -BVM FROM O 06307 </td> </tr> <tr> <td data-bbox="1256 746 1480 858"> 0139 P5 RP 0139 P4 </td> <td data-bbox="1480 746 1503 858"> 01 01 </td> <td data-bbox="1503 746 2033 858"> EXCHANGE ENGINE REPERE (RGX) - RGX - RGY -BVM </td> </tr> </table> | 1 0135 S3 | 01 | NEW ENGINE REP RGY REPERE RGY - BVM TO O 06306 OR BVA | 95 644 529 RP 0139 G2 | 01 01 | EXCHANGE ENGINE REP RGY REPERE RGY - BVM TO O 06306 OR BVA | 0135 Y7 | 01 | NEW ENGINE REPERE RGX - RGY -BVM FROM O 06307 | 0139 P5 RP 0139 P4 | 01 01 | EXCHANGE ENGINE REPERE (RGX) - RGX - RGY -BVM |
| 1 0135 S3 | 01 | NEW ENGINE REP RGY REPERE RGY - BVM TO O 06306 OR BVA | | | | | | | | | | | | |
| 95 644 529 RP 0139 G2 | 01 01 | EXCHANGE ENGINE REP RGY REPERE RGY - BVM TO O 06306 OR BVA | | | | | | | | | | | | |
| 0135 Y7 | 01 | NEW ENGINE REPERE RGX - RGY -BVM FROM O 06307 | | | | | | | | | | | | |
| 0139 P5 RP 0139 P4 | 01 01 | EXCHANGE ENGINE REPERE (RGX) - RGX - RGY -BVM | | | | | | | | | | | | |